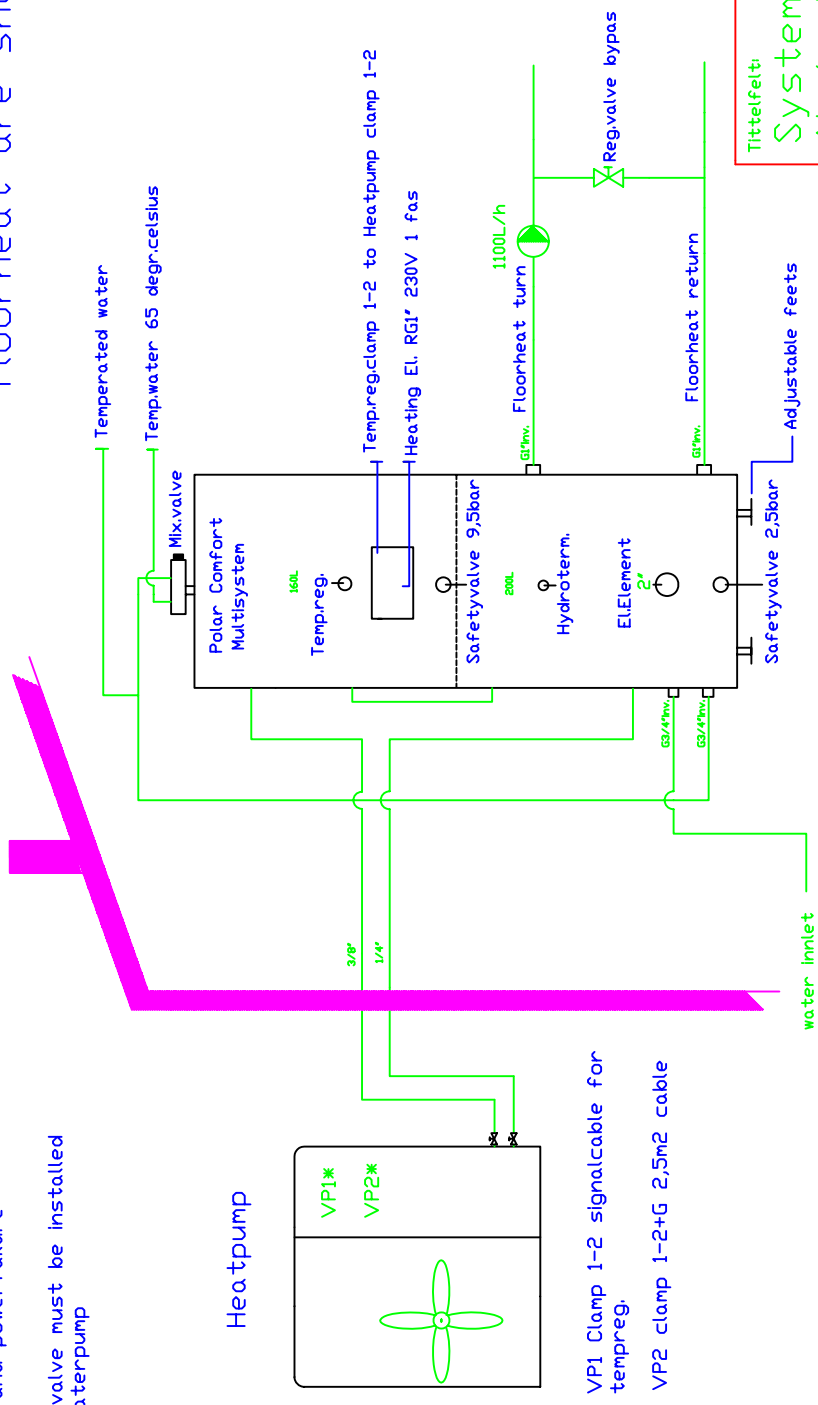


# Polar Comfort Multisystem

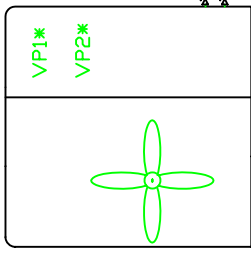
1. HP have a delay on 10 minutes, with startup and powerfailure
2. Bypassvalve must be installed after waterpump

Min Waterflow 1100 L/h

Min waterflow bypass 800 L/h, when all floorheat are shut down



Heatpump



VP1 Clamp 1-2 signalcable for tempreg.  
VP2 clamp 1-2+G 2,5m2 cable

Tittefelt: System drawing Air/water heat pump.	
Leverandør: Polar Kulde	Tegnet dato: 301106 D.J.B