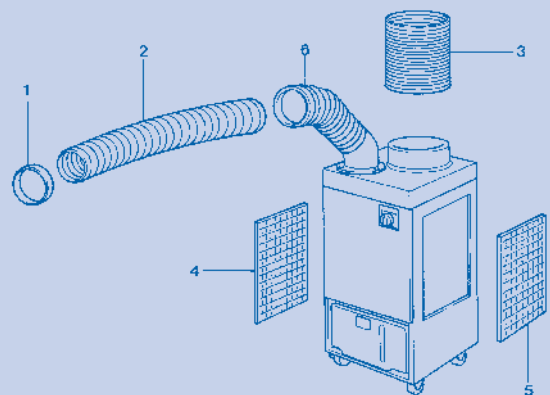


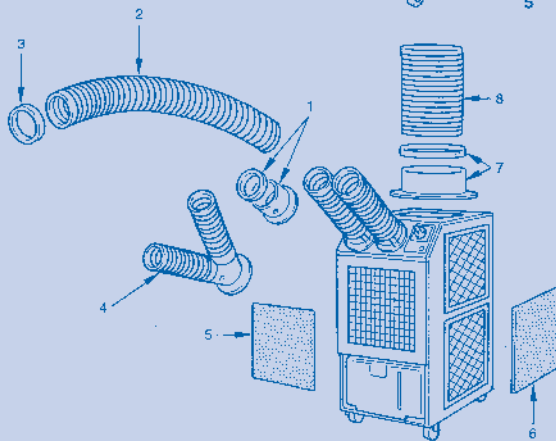
Accessories 10 SFE

No.	Description	Partnumber
1	Trim ring Ø 125 mm soft	481851-0120
2	Extension duct Ø 125 mm	481744-0090
3	Warm air extension duct Ø 250 mm	481744-0050
4	Filter, evaporator (Wire filter)	484400-0141
5	Filter, condenser (Wire filter)	484400-0150
6	Cold air duct	484209-0200



Accessories 15 SFE

No.	Description	Partnumber
1	Flange assy, Ø 135 mm	481170-0180
2	Extension duct Ø 125 mm ivory	481744-0090
3	Trim ring Ø 125 mm soft	481851-0120
4	Two way duct	484209-0030
5	Filter, evaporator (Wire filter)	484401-0330
6	Filter, condenser (Wire filter)	484401-0330
7	Flange assy, Ø 300 mm	481170-0190
8	Extension duct Ø 300 mm	481744-0060



MOVINCOOL®
SPOT COOLING POWERED BY **DENSO**



Models 10SFE en 15SFE



MOVINCOOL®
SPOT COOLING POWERED BY **DENSO**

DENSO EUROPE B.V.
A/M Sales Dept. 3
Hogeweyselaan 165
1382 JL Weesp
P.O. Box 89
1380 AB Weesp
The Netherlands
Tel. +31 (0)294 - 493 493
Fax +31 (0)294 - 417 122
E-mail: movincool@denso.nl
www.movincool-europe.com

DENSO the quality name behind MovinCOOL® Spot Cooling

MovinCOOL® Spot Cooling units are designed and manufactured by DENSO Corporation, cutting edge manufacturer of advanced technology systems and components for, among other sectors, the automobile industry. All major automobile producers in the world collaborate with DENSO. DENSO is active in 31 countries, employs 90,000 people and has a sales turnover of some € 18 billion per annum (2002).

DENSO is a world leader in automotive air conditioning systems; MovinCOOL® Spot Cooling was developed on the basis of this leading edge technology. Denso's head office, including its European distribution centre, is located in the Netherlands (Weesp).

The concept of Spot Cooling allows the user to focus the entire cooling capacity of a machine towards the area most in need. MovinCOOL units can instantly lower local temperatures by up to 16°C without excessive installation costs, making MovinCOOL® Spot Cooling a perfect alternative to conventional air conditioning, or indeed a useful addition to it. Production lines, computer rooms and exhibitions, both indoors and outdoors, are just some of the common applications benefiting from the local direct cooling offered by MovinCOOL.

Models 10SFE and 15SFE

The 10SFE and 15SFE are two compact and highly mobile models in MovinCOOL's expanding range. With respective capacities of 2.1 kW (7.200 Btu) and 4.4 kW (15.200 Btu) they are ideal for a variety of cooling applications including people, machines and processes. Simply roll to the area that requires cooling, plug in and the units are ready to cool - no need for costly installation or alteration work.



Model 10 SFE



Model 15 SFE



		Item	Unit	10SFE	15SFE
Rating Condition	Temperature DB	°C (°F)		35°C (95°F)	35°C (95°F)
	Temperature WB	°C (°F)		28.2°C (83°F)	28.2°C (83°F)
	Relative Humidity	%		60	60
Features	Power Frequency	Hz		50	50
	Line Voltage	V		Single phase 230	Single phase 230
	Power consumption	kW		0,86	1,7
	Current consumption	Amp		3,9	8,2
	Starting current	Amp		16	32
Cooling Unit	Cooling capacity	kcal/h		1800	3800
		Btu/h		7200	15200
		kW		2,1	4,4
Blower	Type of fan			Centrifugal	Centrifugal
	Air volume (evaporator)	m³/h		360	800
		ft³/min		210	470
	Air volume (condenser)	m³/h		750	1500
		ft³/min		440	881
Compressor	Type			Hermetic sealed rotary type	Hermetic sealed rotary type
	Output	kW		0,6	1,1
	Refrigerant			R407c	R407c
	Refrigerant quantity	kg		0,41	0,74
		lbs		0,90	1,6
Safety Devices	Compressor overload relay			standard	standard
	Fan motor protector			standard	standard
	Drain warning switch			standard	standard
	Anti-freezing thermostat			standard	standard
Dimensions and weight	L x D x H	mm		440 x 400 x 1010	490 x 670 x 1045
		inch		17.3 x 15.7 x 39.8	19.3 x 26.4 x 41.1
	Weight	kg		46	76
		lbs		101	168
Sound level	Distance 1m	dB(A)		57 max	64 max
Operating conditions	Intake air temperature range	min.		25°C (77°F)	20°C (68°F)
	(relative humidity 50%)	max.		40°C (104°F)	40°C (104°F)

SPOT COOLING APPLICATIONS

- | | | |
|-----------------------------------|--------------------------|-------------------|
| Synthetic material industry | Laundries | Hospitals |
| Information and telecommunication | Shipyards | Laboratories |
| Glass industry | Loading docks | Car garages |
| Metalworking | Restaurants and kitchens | Temporary offices |
| Printing office and bookbindery | Bakeries | Showrooms |
| Assembly lines | Offices | Events |
| Packaging industry | Food industry | Foundries |

MovinCOOL® Spot Cooling Saves time, money and effort