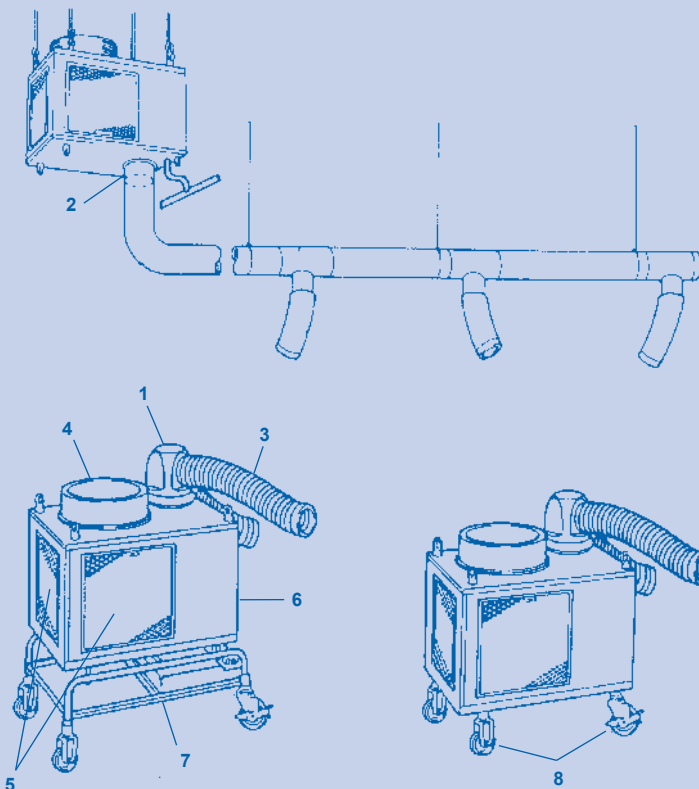


Accessories 30 HE

No.	Description	Partnumber
1	Chamber kit with 2 ports	481769-0041
	Chamber kit with 3 ports	481769-0051
2	Cold air flange Ø 300 mm (instead of chamber kit)	481170-0190
3	Cold air duct/ blow off duct Ø 150 mm	481744-0030
4	Warm air flange Ø 550 mm	480680-0200
5	Filter, condenser side	484401-0150
6	Filter, evaporator side	484401-0290
7	Wagon kit	484710-0081
	Stand kit (Wagon kit without wheels)	484750-0051
8	Caster/ Wheels kit	484709-0011



MOVINCOOL®
SPOT COOLING POWERED BY **DENSO**



MOVINCOOL®
SPOT COOLING POWERED BY **DENSO**

DENSO EUROPE B.V.
A/M Sales Dept. 3
Hogeweyselaan 165
1382 JL Weesp
P.O. Box 89
1380 AB Weesp
The Netherlands
Tel. +31 (0)294 - 493 493
Fax +31 (0)294 - 417 122
E-mail: movincool@denso.nl
www.movincool-europe.com

DENSO the quality name behind MovinCOOL® Spot Cooling

MovinCOOL® Spot Cooling units are designed and manufactured by DENSO Corporation, cutting edge manufacturer of advanced technology systems and components for, among other sectors, the automobile industry. All major automobile producers in the world collaborate with DENSO. DENSO is active in 31 countries, employs 90,000 people and has a sales turnover of some € 18 billion per annum (2002).

DENSO is a world leader in automotive air conditioning systems; MovinCOOL® Spot Cooling was developed on the basis of this leading edge technology. Denso's head office, including it's European distribution centre, is located in the Netherlands (Weesp).

Model 30 HE

The concept of Spot Cooling allows the user to focus the entire cooling capacity of a machine towards the area most in need. MovinCOOL units can instantly lower local temperatures by up to 16°C without excessive installation costs, making MovinCOOL® Spot Cooling a perfect alternative to conventional air conditioning, or indeed a useful addition to it. Production lines, computer rooms and exhibitions, both indoors and outdoors, are just some of the common applications benefiting from the local direct cooling offered by MovinCOOL.

Model 30HE

One of the current flagships in the expanding MovinCOOL range is the 30HE. With a cooling capacity of 9.5kW (32.400 Btu), the MovinCool 30HE is ideal for a variety of cooling applications including people, machines and processes. The comprehensive accessory list allows the 30HE unit to be maintained as a portable unit or installed permanently, with weather protection as standard, permitting both indoor and outdoor installation. The powerful fan unit in the 30HE, allows for remote location of the machine, up to 30 metres from the area to be cooled, without loss of performance - a feature which significantly increases the range of applications.



Model 30 HE

MOVINCOOL®
SPOT COOLING POWERED BY **DENSO**

	Item	Unit	30HE
Rating Condition	Temperature DB	°C (°F)	35°C (95°F)
	Temperature WB	°C (°F)	28.5°C (83°F)
	Relative Humidity	%	60
Features	Power Frequency	Hz	50
	Line Voltage	V	Three phase 400
	Neutral line voltage	V	230
	Power consumption	kW	3,4
	Power factor	%	83
	Starting current	Amp	42
Cooling Unit	Cooling capacity	kcal/h Btu/h kW	8170 32400 9,5
	Cooling system		Direct expansion
	Blower	Type of fan	
Air volume (evaporator)		m³/h ft³/min	1500 880
Air volume (condenser)		m³/h ft³/min	4000 2354
Motor output (evaporator)		kW	0,75
Motor output (condenser)		kW	0,16
Compressor	Type		Hermatic rotary type
	Output	kW	2,2
	Refrigerant		R-407c
	Refrigerant quantity	kg lbs	1,85 4,1
Safety Devices	Compressor overload relay		standard
	Fan motor protector		standard
	Anti-freezing thermostat		standard
	High pressure switch		standard
Dimensions and weight	BxDxH	mm inch	1100 x 650 x 985 43.3 x 25.6 x 38.3
	Gewicht	kg	160
		lbs	353
Sound level	Distance 1m	dB(A)	70
Operating conditions	Intake air temperature range (relative humidity 50%)	min.	20°C (68°F)
		max.	45°C (113°F)

SPOT COOLING APPLICATIONS

- | | | |
|-----------------------------------|--------------------------|-------------------|
| Synthetic material industry | Laundries | Hospitals |
| Information and telecommunication | Shipyards | Laboratories |
| Glass industry | Loading docks | Car garages |
| Metalworking | Restaurants and kitchens | Temporary offices |
| Printing office and bookbindery | Bakeries | Showrooms |
| Assembly lines | Offices | Events |
| Packaging industry | Food industry | Foundries |

MovinCOOL® Spot Cooling Saves time, money and effort